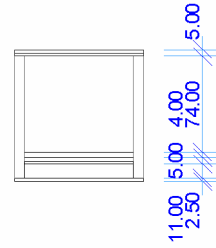
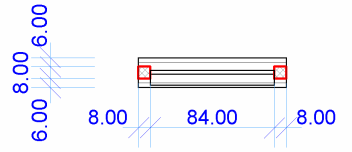
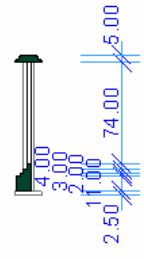
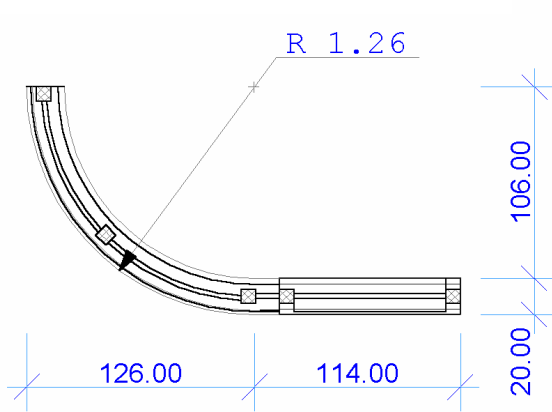


# Attachment 4

DETALJ A



DETALJ A

